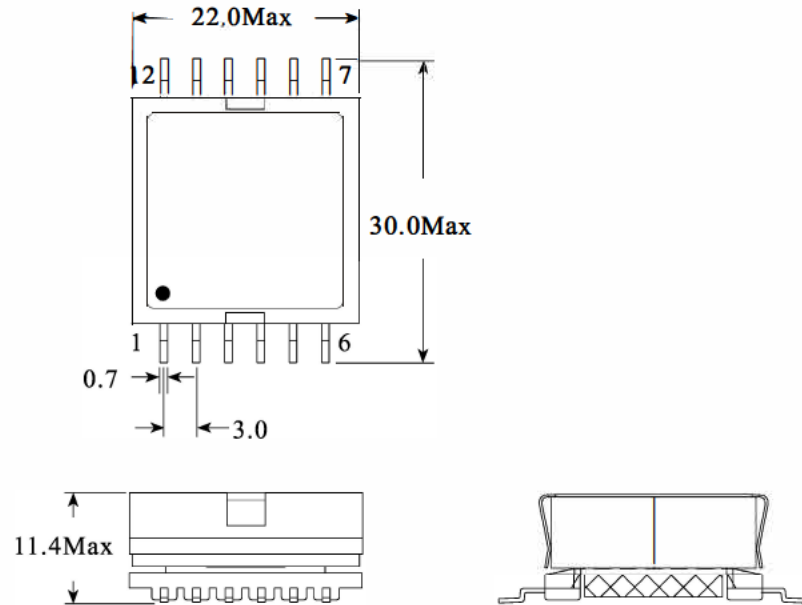
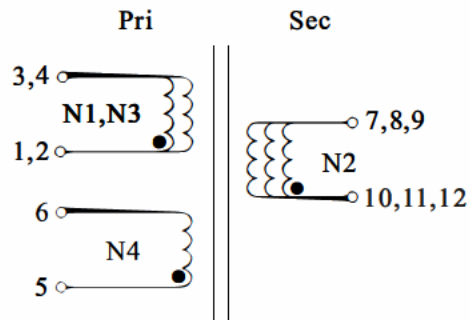


Rev.	Description	Date
A0	New release	2022 12 29

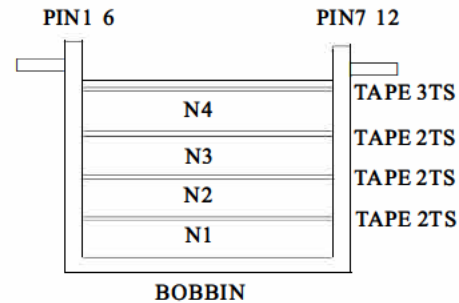
MECHANICAL DIMENSION:(UNIT:mm)



SCHEMATIC:



WINDING CONSTRUCTION:



WINDING:

WDG	TERMINAL	WIRE SIZE	TURNS	TAPE	REMARKS
N1	1-3	φ 0.4mm*2P2UEW F	6Ts	2TS	18m Ω Max
N2	10,11,12 7,8,9	φ 0.35mm*3P2UEW F	7Ts	2TS	23m Ω Max
N3	2 4	φ 0.4mm*2P2UEW F	6Ts	2TS	20m Ω Max
N4	5 6	φ 0.25mm*1P2UEW F	7Ts	3TS	130m Ω Max

ELECTRICAL CHARACTER:

NO.	Item	Measured Point	Technical Data	Test Condition & Instrument
1	Inductance	L 1,2 3,4	4.5uH±10%	100KHz 100mV
2	Lk	Lk1,2 3,4	150nH Max	100KHz 100mV(Short 7,8,9,10,11,12)
3	Insulation resistance	Pri to Sec	DC500V, 100M Ω Min	
4	HI POT	Pri to Sec	1875Vac/50Hz/5mA/1S	

MATERIAL LIST:

NO.	ITEM	MATERIALS	rating	file NO	SUPPLIERS
1	BOBBIN	PHENOLIC T375J ULRATING:94V 0	130℃	E59481(S)	CHANGCHUN PLASTICS CO.,LTD
2	CORE	P4 EFD20	---	---	AMCE
3	WIRE	2UEW F	155℃	E239508	SHANTOU SHENGANG ELECTRICAL INDUSTRIAL CO LTD
4	TAPE	PE 301	180℃	E165111	HUIZHOU YAHUA STICKING TAPE CO., LTD.
5	VARNISH	T4260A	130℃	E228349	WU JIANG TAIHU INSULATING MATERIAL CO.,LTD
6	CLIP	EFD20	---	---	CHENGWEI

NAME:		Transformers	
CUSTOMER P/N:	750310617	DATE:	2022-12-29
	SM TRA EFD20-034	REV: A0	PAGE
DRAWN BY	CHECKED BY	APPROVE BY	